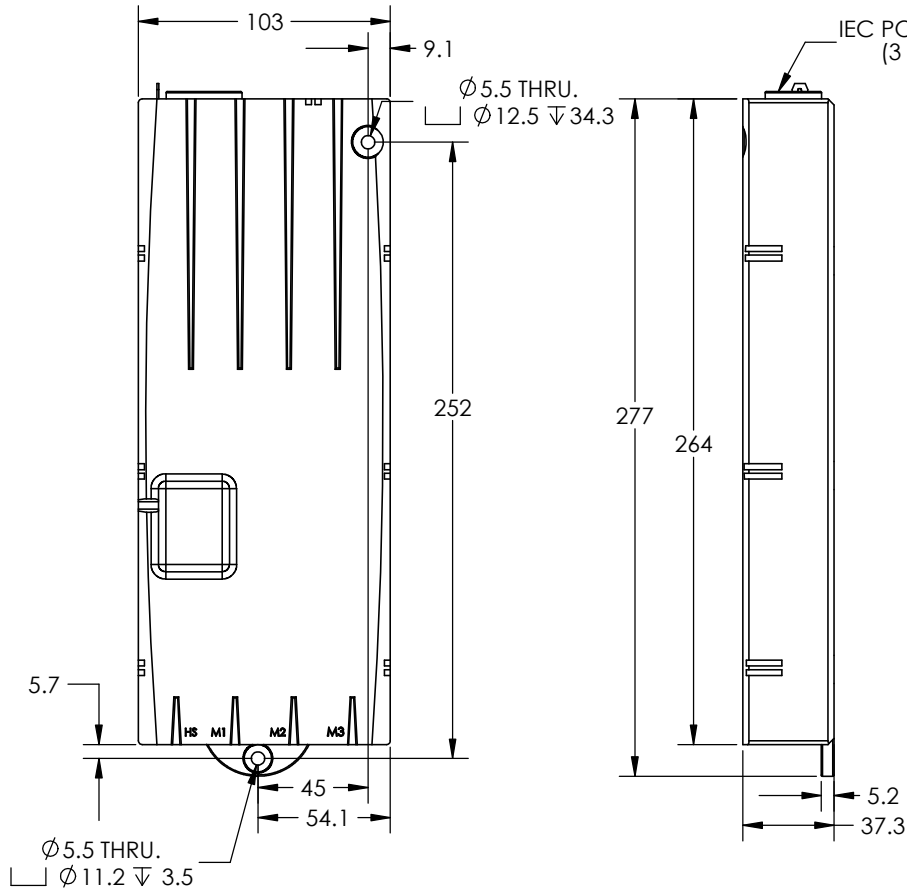
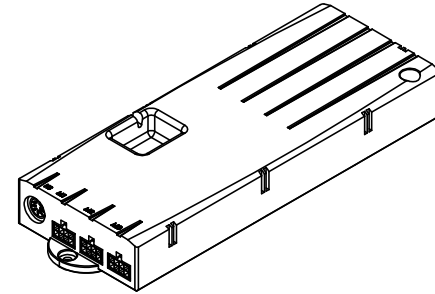


THE INFORMATION CONTAINED IN THIS DRAWING IS THE SOLE PROPERTY OF SUSPA INCORPORATED. ANY REPRODUCTION IN PART OR AS A WHOLE WITHOUT THE WRITTEN PERMISSION OF SUSPA INCORPORATED IS PROHIBITED.



IEC POWER RECEPTACLE
(3 CONDUCTOR)

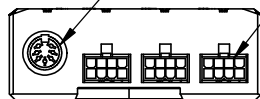


ISOMETRIC VIEW
SCALE 1:3

NOTES:

- 1.) ALL DIMENSIONS ARE REFERENCE ONLY.
- 2.) MOTOR CONTROL MUST HAVE UL RECOGNIZED COMPONENT MARK FOR US AND CANADA.
- 3.) SUPPLIER SHALL NOT REVISE ANY PHYSICAL, DIMENSIONAL, OR PERFORMANCE CHARACTERISTICS UNLESS AUTHORIZED IN WRITING BY SUSPA, INC.
- 4.) SOFTWARE PARAMETERS MUST BE VERIFIED WITH CHECKSUM PROGRAM. REFERENCE FILE LOG-PAR-COMPACT-e-3-SUSND-US Rev0.lpf
- 5.) POWER CORD IS NOT INCLUDED WITH MOTOR CONTROL.

7 PIN DIN RECEPTACLE
(SWITCH CONNECTION)



8 PIN MOLEX RECEPTACLE
(3X AS SHOWN) -
(M1, M2, M3 CONNECTION)

LOGICDATA Type: COMPACT-e-3-X-US
 Revision: 300506-00
 Input: 200V/90Hz/10A Output: 288V/4/24V
 Duty cycle: train on/off train off
 Settings: LOG-PAR-000 Rev: X
 US 03.2011 14:53:01 Ser. No.: xxxxxxxx0000000000000000

DETAIL A: PRODUCT LABEL

DO NOT MANUFACTURE TO THIS DRAWING UNLESS IT IS MARKED "CONTROLLED"		
DO NOT SCALE THIS DRAWING		
DIMENSIONS ARE IN MILLIMETERS		
TOLERANCES UNLESS OTHERWISE SPECIFIED		
ONE PLACE DECIMAL	+/-0.2	ANGULAR
TWO PLACE DECIMAL	+/-0.1	+/-2°
DRAWN BY	DATE	SCALE
AJB	02/07/11	1:2

A/A318	Use upstream parameter files	AJB	03/11/13
A/A152	Bump for Compact "ECO" generation	AJB	09/20/12
	Released: change rear view to front (to display mounting features)	AJB	04/05/11
REV/ECN	REVISIONS	CHANGED BY	APPROVED BY DATE (MM/DD/YY)
DESCRIPTION CONTROL,MOTOR,COM3,US			
MATERIAL ENCLOSURE: ABS (BLACK - RAL 9005)			
DRAWING NUMBER 645-03017A			
3970 Roger B. Chaffee S.E. Grand Rapids, Michigan 49548-3497 www.suspa-inc.com			DRAWING SIZE B