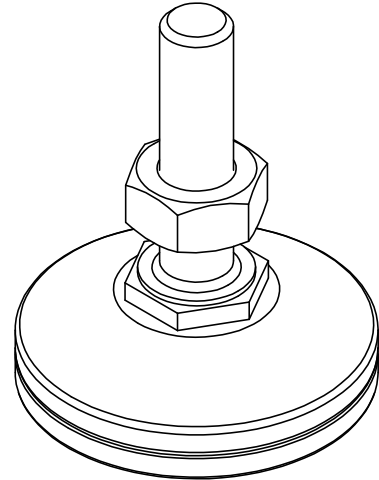
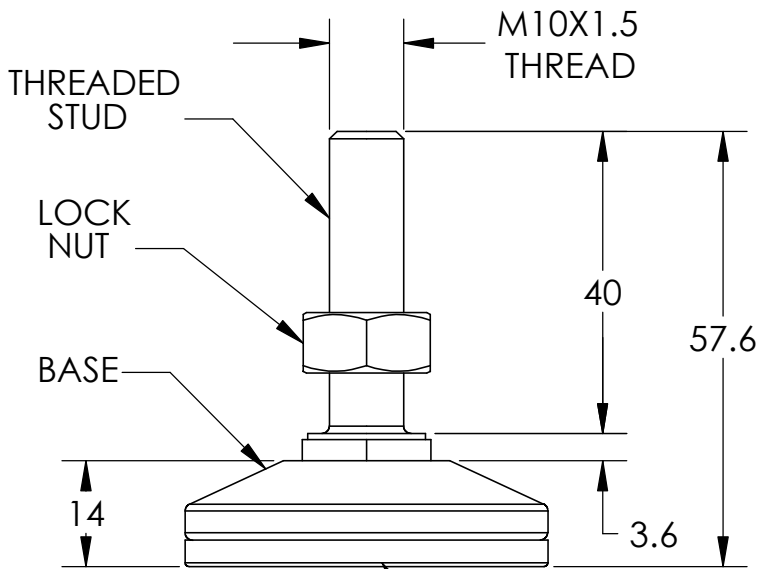
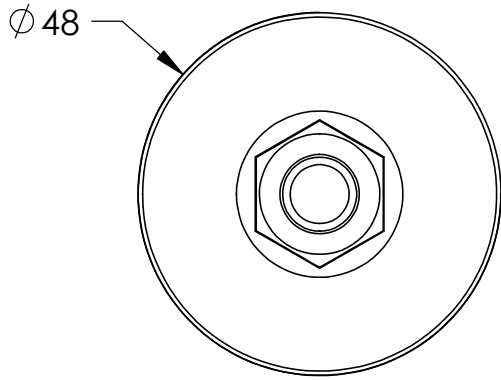


THE INFORMATION CONTAINED IN THIS DRAWING IS THE SOLE PROPERTY OF SUSPA INCORPORATED. ANY REPRODUCTION IN PART OR AS A WHOLE WITHOUT THE WRITTEN PERMISSION OF SUSPA INCORPORATED IS PROHIBITED.



**ISOMETRIC VIEW**

**NOTES:**

- 1.) ALL DIMENSIONS ARE REFERENCE ONLY.
- 2.) REFERENCE P/N: D44-01031.
- 3.) MATERIAL SPECIFICATIONS:

THREADED STUD AND LOCK NUT:  
STEEL WITH ZINC PLATED FINISH.

BASE: MATTE BLACK NYLON.

NON SKID PAD: BLACK TPE.

REV	ECN	REVISIONS	CHANGED BY	APPROVED BY	DATE (MM/DD/YY)
				JED	11/24/04

DESCRIPTION: STANDARD GLIDE WITH PAD

MATERIAL: N/A

DRAWING NUMBER: S44-0001

	3970 Roger B. Chaffee S.E. Grand Rapids, Michigan 49548-3497 <a href="http://www.suspa-inc.com">www.suspa-inc.com</a>	DRAWING SIZE
		<b>A</b>

**DO NOT MANUFACTURE TO THIS DRAWING UNLESS IT IS MARKED "CONTROLLED"**

**DO NOT SCALE THIS DRAWING DIMENSIONS ARE IN MILLIMETERS TOLERANCES UNLESS OTHERWISE SPECIFIED**

ONE PLACE DECIMAL +/-0.2      ANGULAR +/-2°  
TWO PLACE DECIMAL +/-0.1

DRAWN BY JED	DATE 11/24/04	SCALE 1:1	
-----------------	------------------	--------------	--

CUSTOMER DRAWING