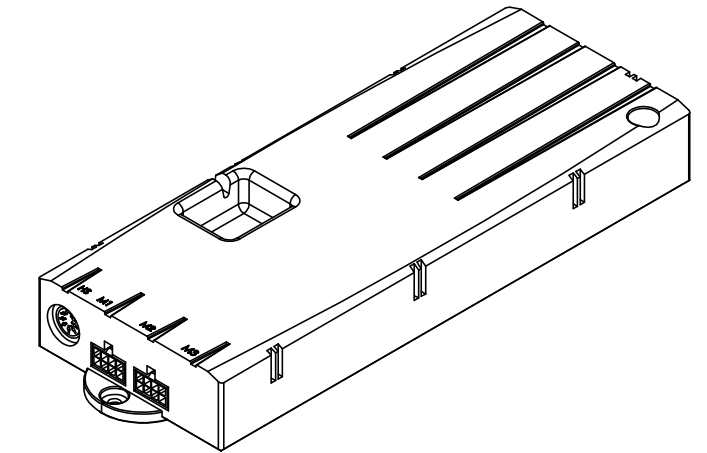
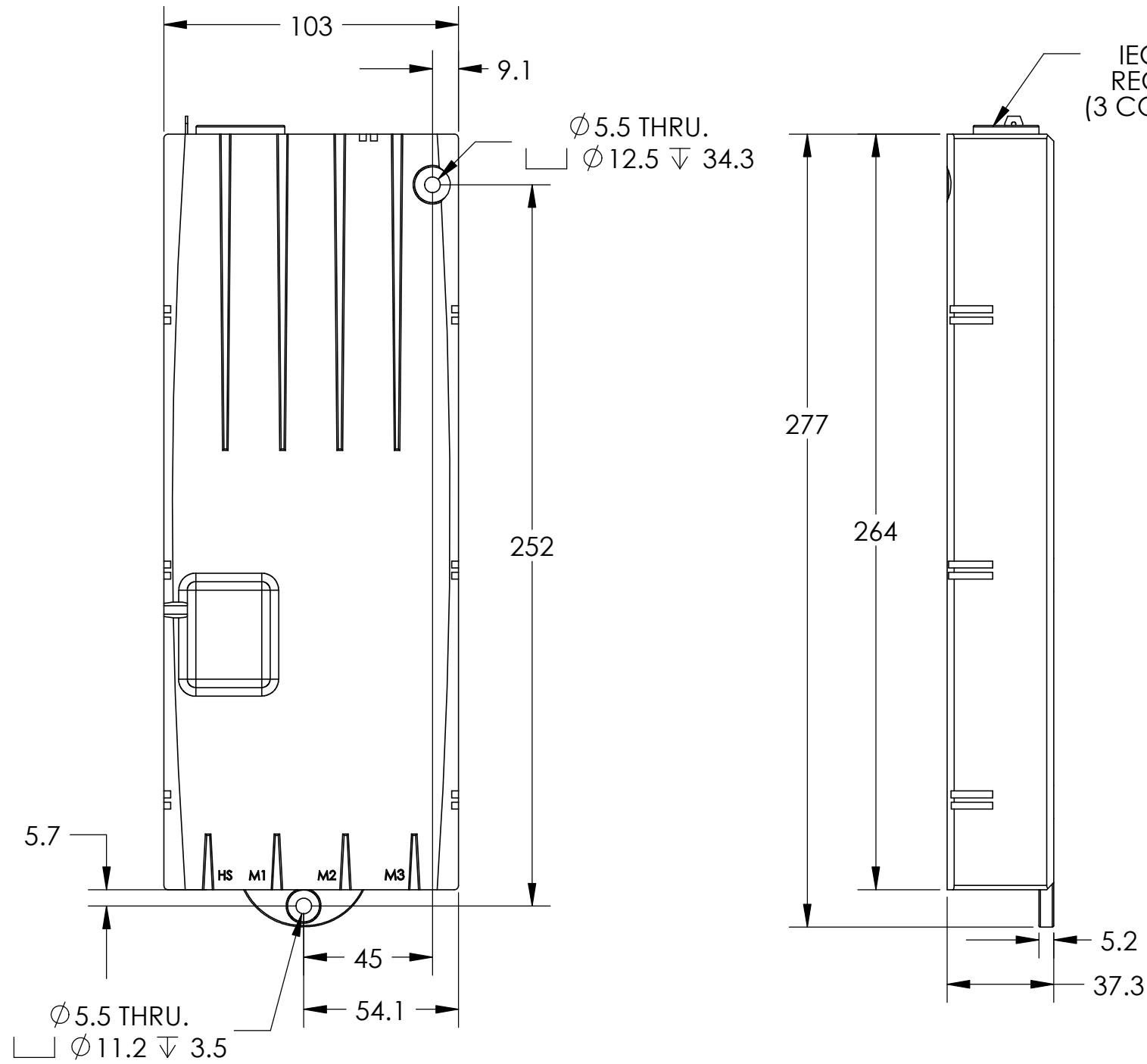


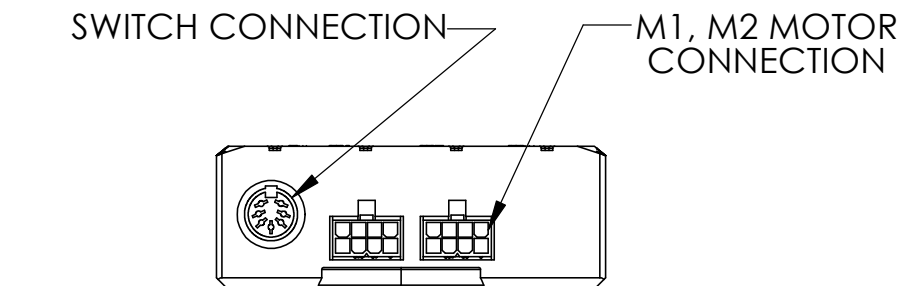
THE INFORMATION CONTAINED IN THIS DRAWING IS THE SOLE PROPERTY OF SUSPA INCORPORATED. ANY REPRODUCTION IN PART OR AS A WHOLE WITHOUT THE WRITTEN PERMISSION OF SUSPA INCORPORATED IS PROHIBITED.



ISOMETRIC VIEW
SCALE 1:3

NOTES:

- 1.) ALL DIMENSIONS ARE REFERENCE ONLY.
- 2.) ELECTRICAL CHARACTERISTICS:
 - INPUT VOLTAGE/FREQUENCY: 90-127VAC, 50/60Hz.
 - CONTROL VOLTAGE/CURRENT: 27VDC/9A.
 - SWITCH VOLTAGE/CURRENT: 5VDC/150mA.
- 3.) DUTY CYCLE: 10% (1 minute ON, 9 minutes OFF).
MAX. CYCLE TIME 2 MINUTES BEFORE DUTY CYCLE ENFORCEMENT PERIOD.
- 4.) OPERATING TEMPERATURE: 0-30° C.
- 5.) STORAGE TEMPERATURE: -40-85° C.
- 6.) PROTECTION CLASS: I.
- 7.) IP CLASS: IP20
- 8.) MOTOR CONTROL IS UL RECOGNIZED IN US AND CANADA UNDER UL STANDARD 60950 (REFERENCE UL FILE NUMBER: E254170).
- 9.) STANDBY POWER, PRIMARY (TYPICAL) $\leq 0.3W$.
- 10.) WEIGHT: 532g (1.15lb).



DO NOT MANUFACTURE TO THIS DRAWING UNLESS IT IS MARKED "CONTROLLED"

DO NOT SCALE THIS DRAWING
DIMENSIONS ARE IN MILLIMETERS
TOLERANCES UNLESS OTHERWISE SPECIFIED

ONE PLACE DECIMAL	+/-0.2	ANGULAR	+/-2°
TWO PLACE DECIMAL	+/-0.1		

DRAWN BY	DATE	SCALE	THIRD ANGLE PROJECTION
AJB	03/30/11	1:2	

CUSTOMER DRAWING

REV	DESCRIPTION	CHANGED BY	APPROVED BY	DATE (MM/DD/YR)
/	UPDATED DRAWING	KTB		01/13/14
/	UL E254170 WAS E219105	KTB		11/22/13
/	RELEASED	AJB		05/17/11

DESCRIPTION	US 120V COM/E CONTROLLER
MATERIAL	N/A
DRAWING NUMBER	S45-0027

	3970 Roger B. Chaffee S.E. Grand Rapids, Michigan 49548-3497 www.suspa-inc.com	DRAWING SIZE B