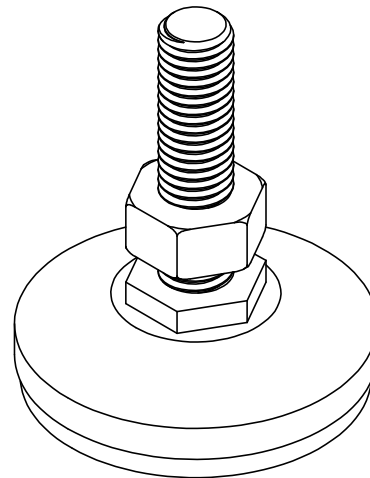
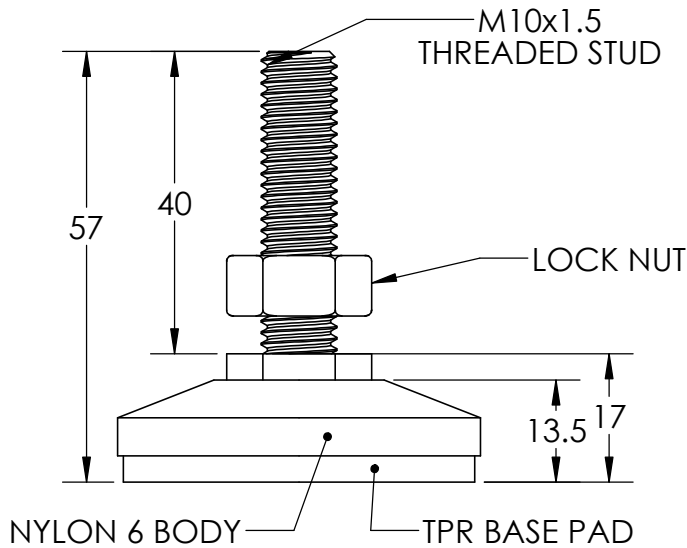
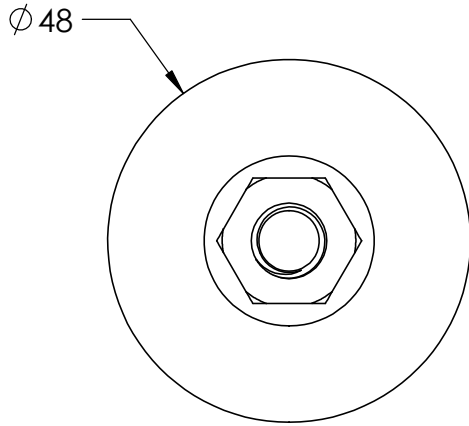


THE INFORMATION CONTAINED IN THIS DRAWING IS THE SOLE PROPERTY OF SUSPA INCORPORATED. ANY REPRODUCTION IN PART OR AS A WHOLE WITHOUT THE WRITTEN PERMISSION OF SUSPA INCORPORATED IS PROHIBITED.

NOTES:

1. ALL DIMENSIONS ARE REFERENCE ONLY
2. REFERENCE P/N: 644-01048
3. M10x1.5-6g THREADED STUD IS MADE FROM CARBON STEEL WITH BRIGHT ZINC PLATING
4. M10x1.5-6h HEX NUT IS MADE FROM CARBON STEEL WITH BRIGHT ZINC PLATING
5. GLIDE BODY IS MADE FROM NYLON 6 (BLACK)
6. NONSKID BASE PAD IS MADE FROM TPR (BLACK), 80-85 SHORE "A" DUROMETER



ISOMETRIC VIEW

	RELEASED		KTB	12/18/17
REV	REVISIONS	CHANGED BY	APPROVED BY	DATE (MM/DD/YR)
ECN				

DESCRIPTION STANDARD GLIDE WITH PAD

MATERIAL N/A

DRAWING NUMBER S44-0001A

	3970 Roger B. Chaffee S.E. Grand Rapids, Michigan 49548-3497 www.suspa.com	DRAWING SIZE
		A

DO NOT MANUFACTURE TO THIS DRAWING UNLESS IT IS MARKED "CONTROLLED"

DO NOT SCALE THIS DRAWING DIMENSIONS ARE IN MILLIMETERS TOLERANCES UNLESS OTHERWISE SPECIFIED

ONE PLACE DECIMAL	+/-0.2	ANGULAR
TWO PLACE DECIMAL	+/-0.1	+/-2°

DRAWN BY	DATE	SCALE	 THIRD ANGLE PROJECTION
KTB	12/18/17	1:1	

MOVOTEC GLIDES