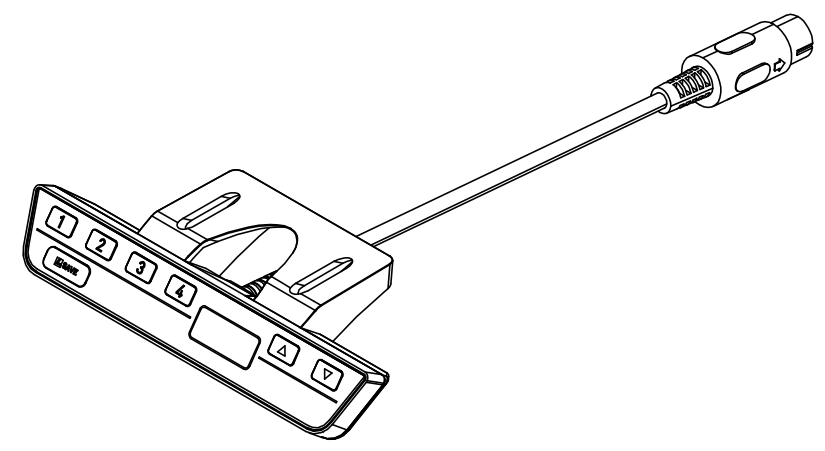
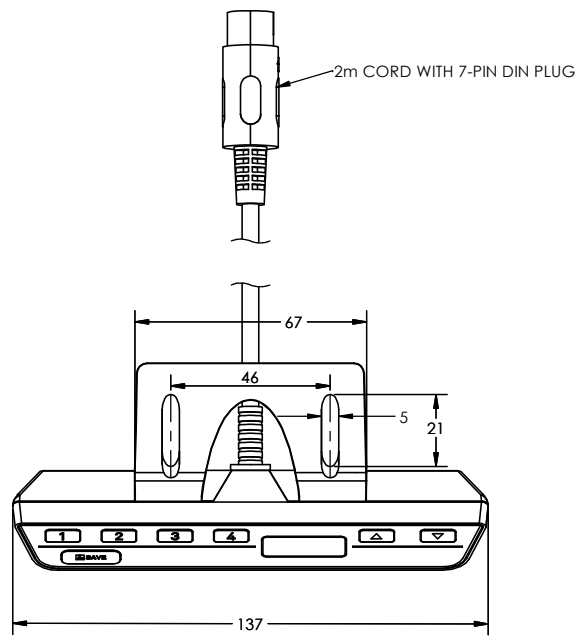
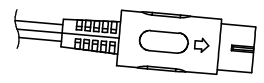
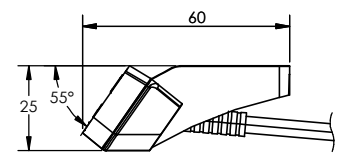
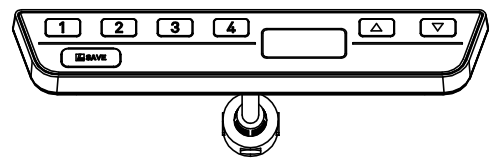


THE INFORMATION CONTAINED IN THIS DRAWING IS THE SOLE PROPERTY OF SUSPA INCORPORATED. ANY REPRODUCTION IN PART OR AS A WHOLE WITHOUT THE WRITTEN PERMISSION OF SUSPA INCORPORATED IS PROHIBITED.



- NOTES:
1. ALL DIMENSIONS SHOWN AS REFERENCE
 2. SWITCH FEATURES 4 MEMORY PRESETS AND 3 DIGIT LED DISPLAY
 3. SWITCH PACKAGED IN A SEALED PLASTIC BAG
 4. LDNA ITEM 011.002.064 DMUI-HSU



DO NOT MANUFACTURE TO THIS DRAWING UNLESS IT IS MARKED "CONTROLLED"

DO NOT SCALE THIS DRAWING
DIMENSIONS ARE IN MILLIMETERS

TOLERANCES UNLESS OTHERWISE SPECIFIED

ONE PLACE DECIMAL ± 0.2 ANGULAR $\pm 0.2^\circ$
TWO PLACE DECIMAL ± 0.1 $\pm 0.2^\circ$

DRAWN BY: KTB DATE: 01/25/22 SCALE: 1:1

USE: LOGICDATA CONTROLS

REVISED	REVISIONS	CHANGED BY	APPROVED BY	DATE
DESCRIPTION				
SWITCH, DISPLAY W/MEMORY, 2M, BLACK				
MATERIAL				
BLACK ABS (RAL 9005)				
DRAWING NUMBER				
645-03112				
SUSPA				3970 Roger B. Chaffee S.E. Grand Rapids, Michigan 49548-3497 www.suspa-inc.com
C				